

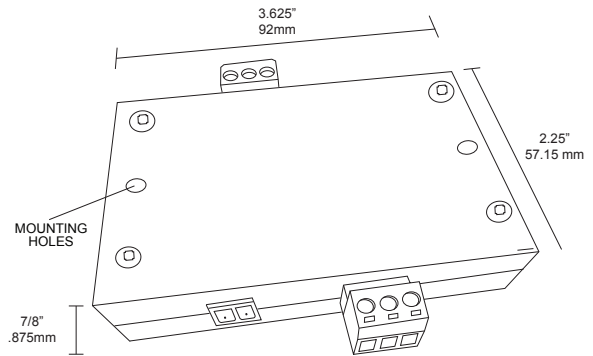


EPIC COMMANDER

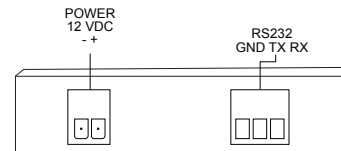
The EPIC COMMANDER™© provides power and or communication to Epic Sky Systems by providing a simple way to connect to a power supply via a Phoenix connector and then provide power to the Epic Sky Systems via a standard Cat5 Cable. Serial communication coming from an Epic WiFi™© or automation system can connect to the Epic Commander™© and pass that communication via the same Cat5 cable being used for power.

KEY FEATURES:

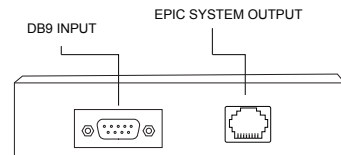
- Converts RS232 to RJ45 for easy plug and play
- 12VDC
- RS-232 connections via DB9 or Phoenix connector
- On board led indicators



FRONT



BACK



ORDERING

MODEL

EPIC-Commander

EPIC Commander

CAN BE USED IN CONJUNCTION WITH:

- Advanced RS232 Controller
- WiFi Interface
- IR Receiver
- EPIC Symphony