

EP-DMX512-DE-8-CV

DECODER

CONSTANT VOLTAGE



Product Introduction:

EP-DMX512-DE-8-CV (Constant Voltage) decoder are highly reliable, cost-effective decoder. Address selection by button. Up to 5-channel decoder output can be used as RGBWY decoder, so do 5-channels.

Performance Parameter

Input & output Voltage:	12-36V
Load Current:	3/4×8A
Max Load Power:	3/4×96-288W
Working Temperature:	-20-+50C
Load Type:	0.04-0.1W (regular LED)
Appearance Dimension:	L178×W58×H29

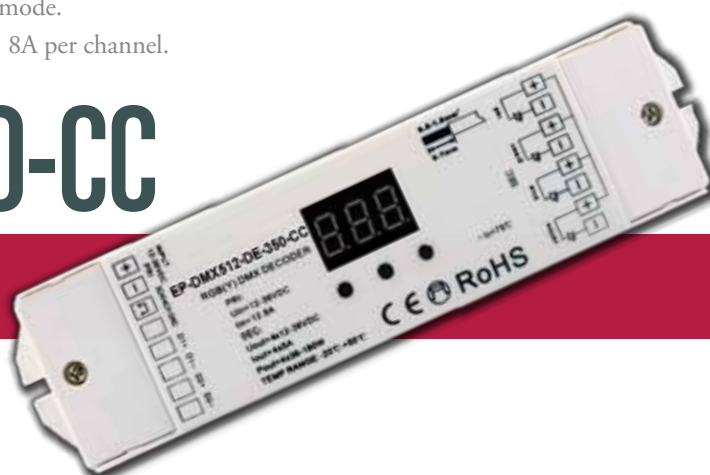
Features

1. Standard DMX512 compliant control interface, enable to set the DMX address freely. And show address Via digital numeric display.
2. Stand-alone mode and DMX512 decoder mode can be freely switched by buttons. Under situation of stand-alone mode, it enables to adjust brightness per channel, also can entry the fading operation mode.
3. Three-channel/ four-channel/five-channel output selectable, Max. 8A per channel.

EP-DMX512-DE-350-CC

DECODER

CONSTANT CURRENT



Product Introduction:

EP-DMX512-DE-350-CC (Constant Current) decoder are highly reliable, cost-effective decoder. Address selection by button. Up to 5-channel decoder output can be used as RGBWY decoder, so do 5-channels.

Performance Parameter

Input & output Voltage:	12-36V
Load Current:	3/4/5×350mA
Max Load Power:	3/4/5×4.2-12.6
Working Temperature:	-20-+50C
Load Type:	1W (regular LED)
Appearance Dimension:	L178×W45×H19mm

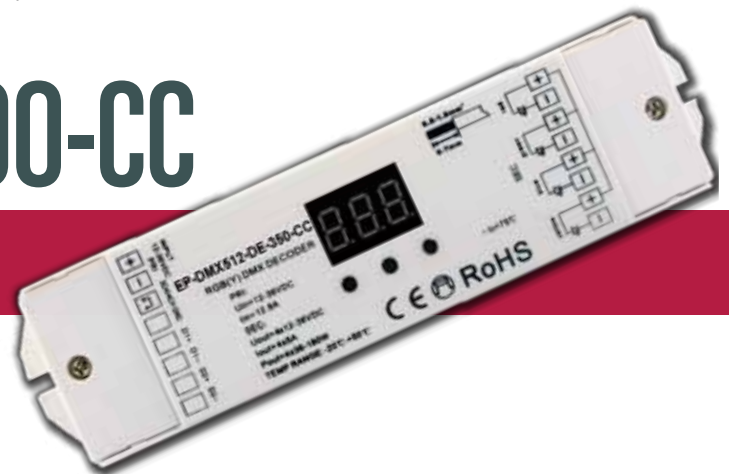
Features

1. Standard DMX512 compliant control interface, enable to set the DMX address freely. And show address Via digital numeric display.
2. Stand-alone mode and DMX512 decoder mode can be freely switched by buttons. Under situation of stand-alone mode, it enables to adjust brightness per channel,also can entry the fading operation mode.
3. Three-channel/ four-channel/five-channel output selectable, Max. 350mA per channel.
4. To work with power repeater to expand output power unlimitedly.

EP-DMX512-DE-1000-CC

DECODER

CONSTANT CURRENT



Product Introduction:

EP-DMX512-DE-1000-CC (Constant Current) decoder are highly reliable, cost-effective decoder. Address selection by button. Up to 5-channel decoder output can be used as RGBWY decoder, so do 5-channels.

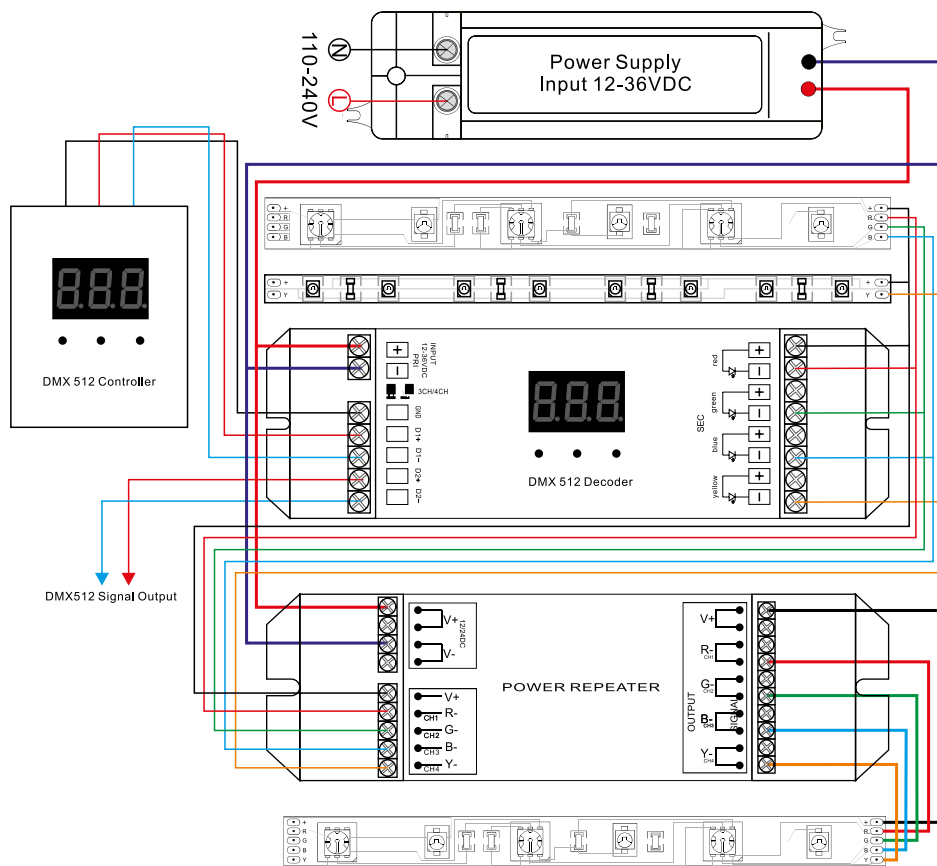
Performance Parameter

Input & output Voltage:	12-36V
Load Current:	3/4/5×1000mA
Max Load Power:	3/4/5×8.4-25.2
Working Temperature:	-20-+50C
Load Type:	3W (regular LED)
Appearance Dimension:	L178×W45×H19mm

Features

1. Standard DMX512 compliant control interface, enable to set the DMX address freely. And show address Via digital numeric display.
2. Stand-alone mode and DMX512 decoder mode can be freely switched by buttons. Under situation of stand-alone mode, it enables to adjust brightness per channel,also can entry the fading operation mode.
3. Three-channel/ four-channel/five-channel output selectable, Max. 1000 mA per channel.
4. To work with power repeater to expand output power unlimitedly.

Wiring Diagram

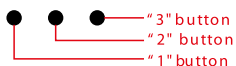


Power repeater connection diagram

Using Instruction

1 Operation of EP-DMX512-DE-8-CV series:

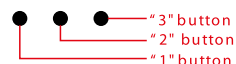
Through buttons to set desired DMX512 address, 1 key is to set "hundreds" position, 2 is to set "ten" position, 3 is to set "a" bit.



To open the connection of DMX512 controller, then it can work correctly.

2 Operation of EP-DMX512-DE-350-CC and EP-DMX512-DE-1000-CC series:

The only difference between SP-DMX512-DE-350-CC and EP-DMX512-DE-1000-CC series max. Can be 4 channels, EP-DMX512-DE-1000-CC series max. Can be 5CH.



2.1 Choose mode:

Press "1" and "2" key for 2 seconds, the digital display flashes, press "3" key choose 1 or 2 mode. If the board display ru1: stand-alone mode; ru2: slaver mode. press any button for 2 seconds to confirm the mode you need.



2.2 Choose Channel

Press "2" and "3" key for 2 seconds, the digital display flashes, press the first button to choose 3/4/5, 3 means total 3 channels, 4 means total 4 channels, 5 means total 5 channels. Press any button for 2 seconds to confirm the amount of channel.

2.3 Operation under DMX512 SLAVE mode

Under this mode, DMX512 device is just a standard of DMX512 SLAVE, it can connect DMX512 MASTER signal with DMX512 signal input port. Dimming lighting are operated by DMX512 master.

Through buttons to set desired DMX512 address, the digital numeric display the starting address. For example: the digital numeric display 001, it means this DMX slave include 001,002,003,004 addresses (under situation of 4 CH).

2.4 Operation under stand-alone mode

Under stand-alone mode, DMX512 device can be operated as an independent dimming controller, there is no need DMX512 signal. The function as follows: If you choose ru1, after you press any button to confirm, the board will display P00.



2.5 P Moving mode 5.2.5 P Moving mode

The first number after P, it can adjust moving mode, total 10 kinds of modes, from P0-P9, press P button, P will be flashing, then you can choose 0-9(10 modes). The second number after P, it can be used to adjust moving speed. Total 10 levels of speed. Press P for 2 seconds, P button will be flashing, then you can choose number 0-9 to adjust speed. For example: P27: means P2 moving mode, speed level is 7.



2.6 C mode

Press the first button, the digital board will show C, it means DMX512 device enters into C mode. Under this mode, it can adjust fixed colors independently, the fixed color has 8 kinds (C1-C8: red, orange, yellow, green, cyan, blue, purple). The second number after C stands for brightness of color, 8 levels brightness, 1 is the darkest, 8 is the brightest.



2.7 R mode

Press the first button, the digital board will show r, it means DMX512 device enters into r mode. Under this mode, it can adjust brightness of the first channel from 0%-100%. Press r button for 2 seconds, r will be flashing, then you can choose brightness you want. 00:0%,FF:100%.



2.8 G mode

Press the first button, the digital board will show G, it means DMX512 device enters into G mode. Under this mode, it can adjust brightness of second channel from 0%-100%. Press G button for 2 seconds, G will be flashing, then you can choose brightness you want. 00:0%,FF:100%.



2.9 B mode

Press the first button, the digital board will show B, it means DMX512 device enters into B mode. Under this mode, it can adjust brightness of third channel from 0%-100%. Press B button for 2 seconds, B will be flashing, then you can choose brightness you want. 00:0%,FF:100%.





2.10 Y mode

Press the first button, the digital board will show Y , it means DMX512 device enter into Y mode. Under this mode, it can adjust brightness of fourth channel from 0%-100%. Press Y button for 2 seconds, Y will be flashing, then you can choose brightness you want. 00:0%,FF:100%.



2.11 U mode

Press the first button, the digital board will show U , it means DMX512 device enter into U mode. Under this mode, it can adjust brightness of fifth channel from 0%-100%. Press U button for 2 seconds, U will be flashing, then you can choose brightness you want. 00:0%,FF:100%.

Note: P, C, R, G, B, Y, U mode will be a loop.